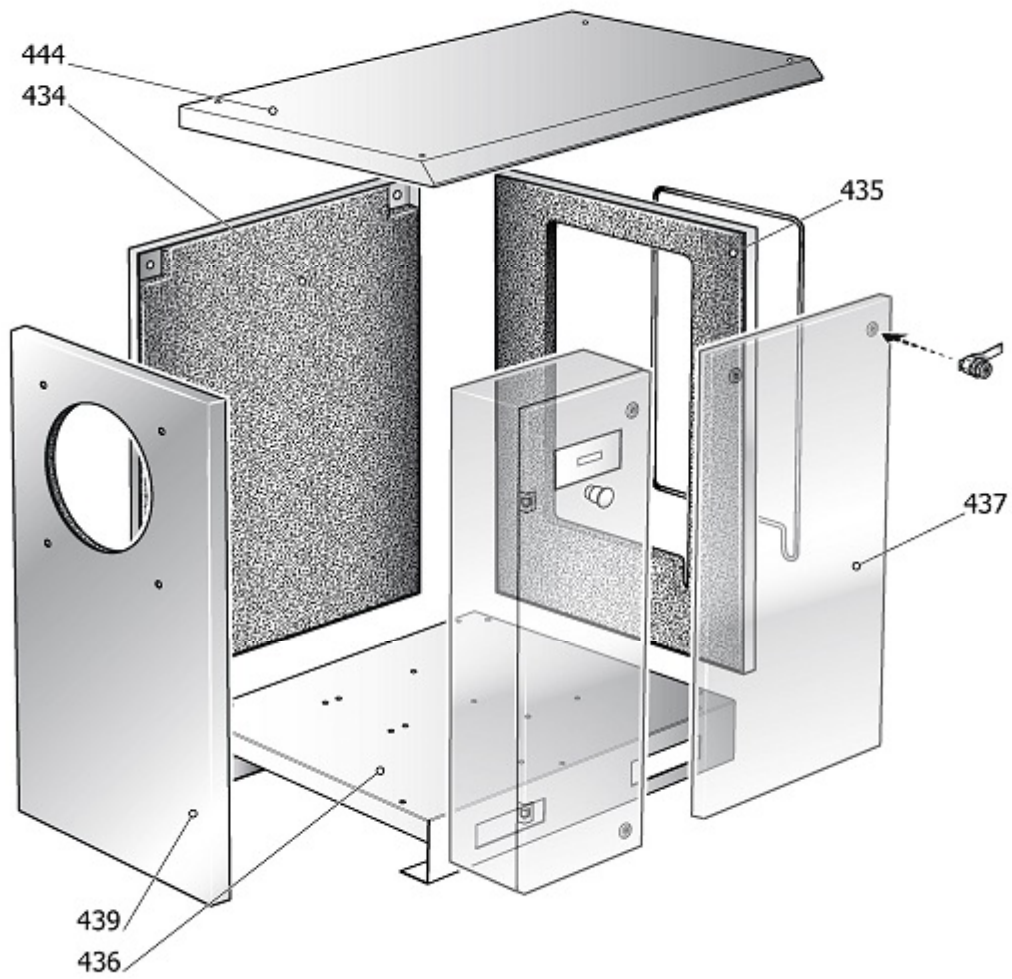
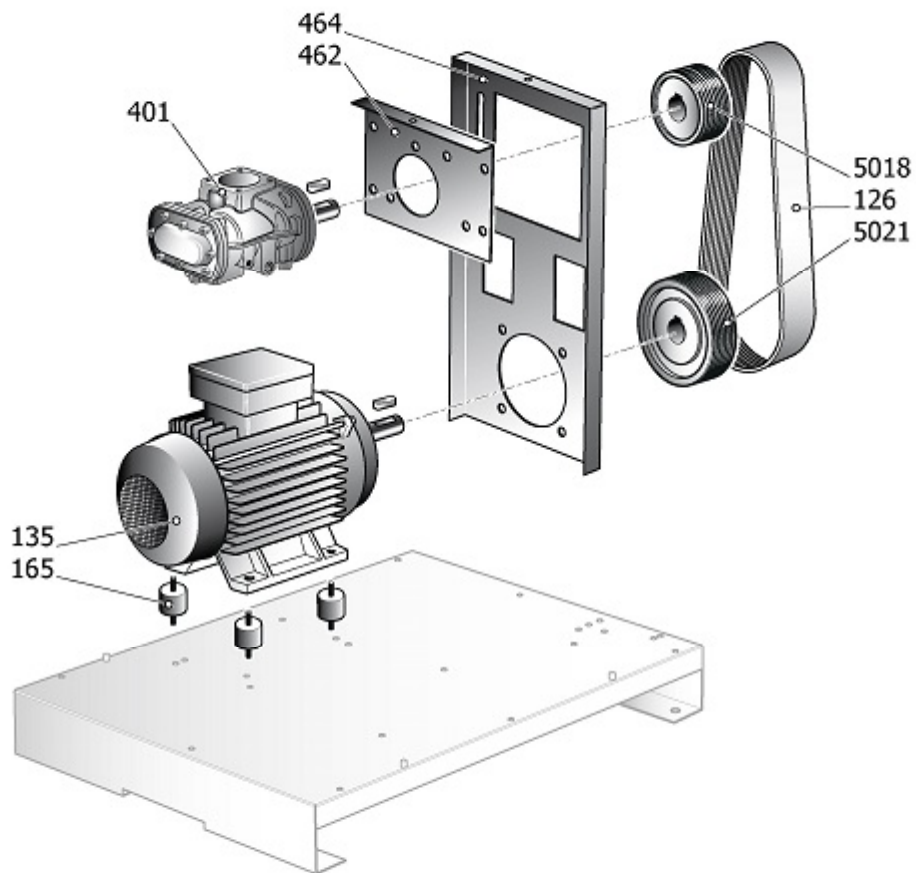


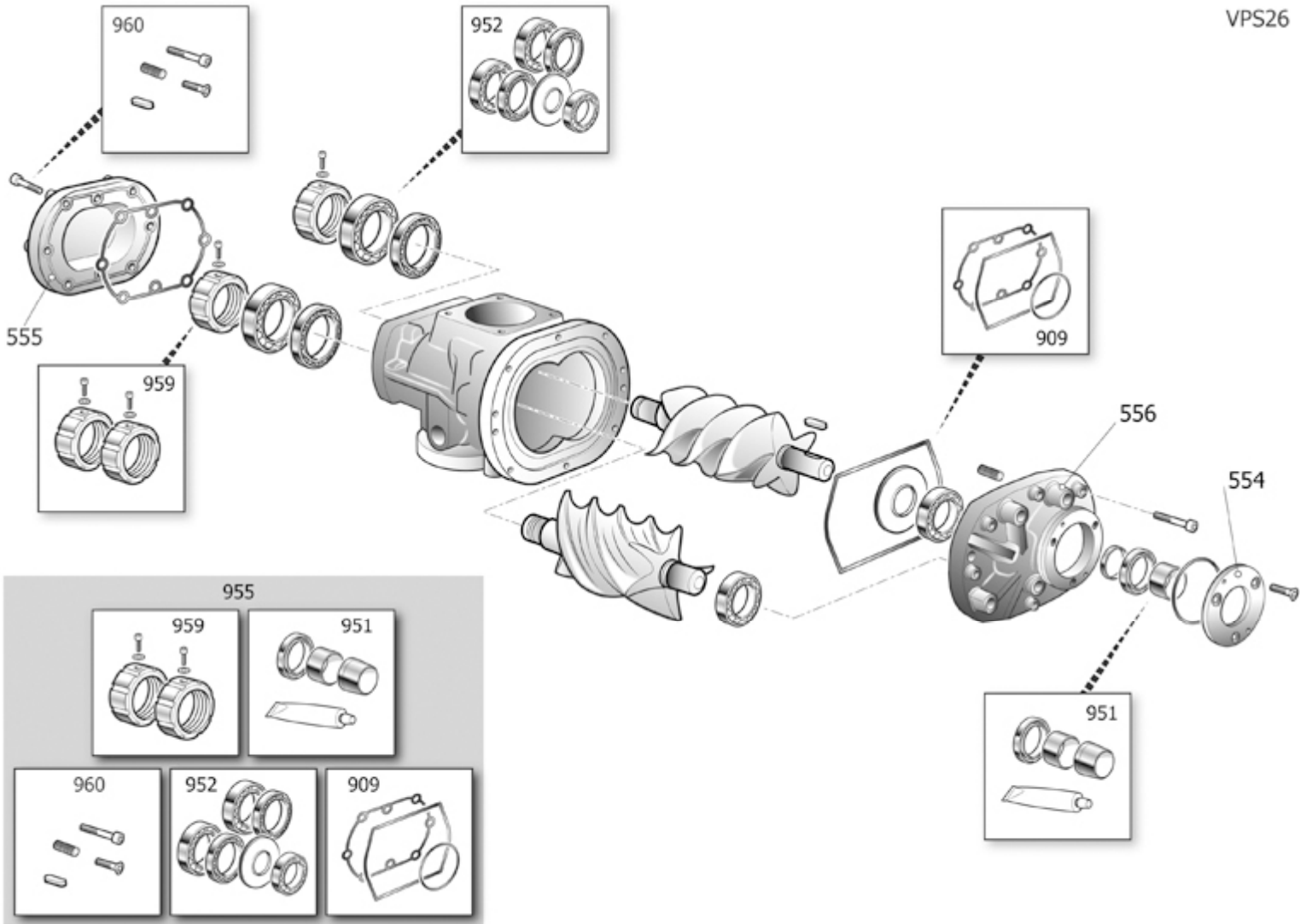
| Pos | Component | | MU | Multiplier |
|------|---------------|------------------------|----|------------|
| 300 | 41K0174 | KIT RUOTE/PIEDI | PZ | 1,0 |
| 400 | | CABINA COMPLETA | | |
| 405 | | COMPONENTI TRAINO | | |
| 450 | | COMPONENTI COMPRESSORE | | |
| 600 | #460NM0500V44 | CABINA ELETTRICA | PZ | 1,0 |
| 1000 | | LONG LIFE KIT LIST | | |



| Pos | Component | | MU | Multiplier |
|-----|----------------|---------------------|----|------------|
| 434 | #260NM0006V44 | PANNELLO POSTERIORE | PZ | 1,0 |
| 435 | #260NM0003V44 | PANNELLO DX | PZ | 1,0 |
| 436 | #_160NM0101V44 | BASAMENTO | PZ | 1,0 |
| 437 | #260NM0005V72 | SPORTELLO ANTERIORE | PZ | 1,0 |
| 439 | #260NM0002V44 | PANNELLO SX | PZ | 1,0 |
| 444 | #260NM0004V44 | PANNELLO SUPERIORE | PZ | 1,0 |

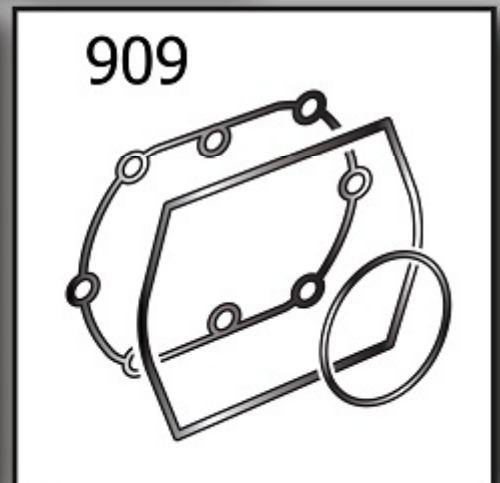
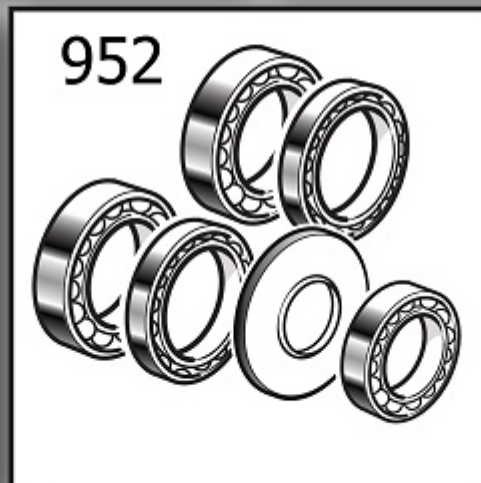
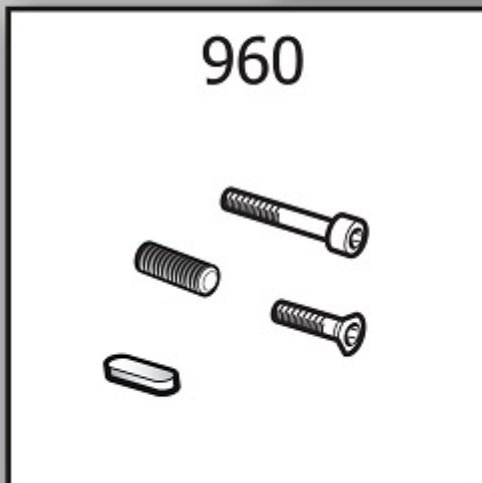
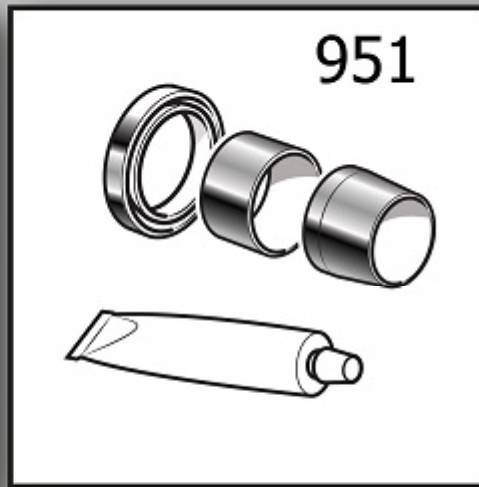
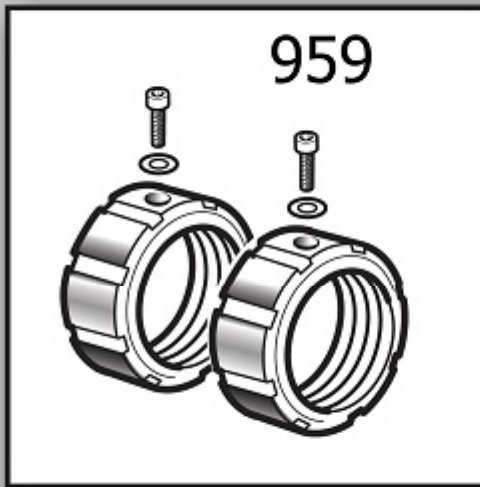


| Pos | Component | | MU | Multiplier |
|------|---------------|-------------------------------|----|------------|
| 126 | #045122000 | CINGHIA | PZ | 1,0 |
| 135 | #540M073622E3 | MOTORE | PZ | 1,0 |
| 165 | #020198000 | ANTIVIBR.50/40 TIPO A M10X25- | PZ | 4,0 |
| 401 | #5303000110 | GRUPPO VITE | PZ | 1,0 |
| 462 | #160SG0002V17 | PIASTRA VITE-MOTORE | PZ | 1,0 |
| 464 | #160NM0011V17 | PIASTRA VITE | PZ | 1,0 |
| 5018 | #140259004 | PULEGGIA 90-L6-28+BC1210 | PZ | 1,0 |
| 5021 | #140356004 | PULEGGIA 132-L6-38+BC2012 | PZ | 1,0 |

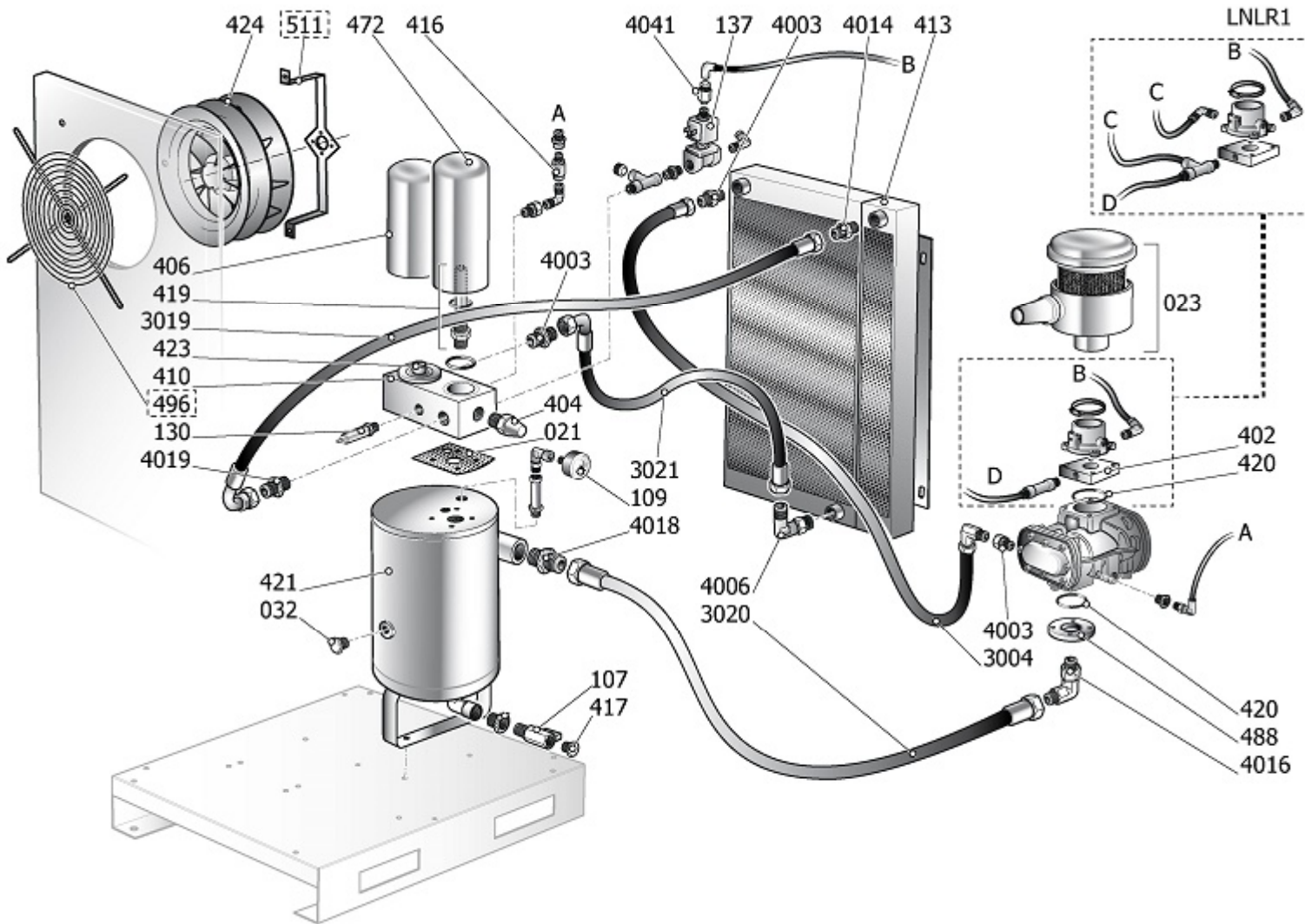


| Pos | Component | | MU | Multiplier |
|-----|------------|----------------------------|----|------------|
| 554 | #130300013 | SUPPORTO ANELLO TENUTA | PZ | 1,0 |
| 555 | #030300003 | COPERCHIO POSTERIORE | PZ | 1,0 |
| 556 | #130300077 | CAMPANA/SUPPORTO ANTERIORE | PZ | 1,0 |
| 955 | #230300200 | KIT REVISIONE GRUPPO VITE | PZ | 1,0 |

955



| Pos | Component | | MU | Multiplier |
|-----|------------|--------------------------------|----|------------|
| 909 | #230300250 | KIT GUARNIZ. FS26TF/TFC/TM/TMC | PZ | 1,0 |
| 951 | #230300240 | KIT ANELLI TENUTA | PZ | 1,0 |
| 952 | #230300230 | KIT CUSCINETTI | PZ | 1,0 |
| 959 | #230300210 | KIT GHIERE | PZ | 1,0 |
| 960 | #230300220 | KIT VITERIA | PZ | 1,0 |



| Pos | Component | MU | Multiplier |
|------|---------------|--------------------------------|------------|
| 21 | #151JO0021 | GUARNIZ. BLOCCH. SEPARAT/DISOL | PZ 1,0 |
| 23 | #317090000 | FILTRO ARIA COMPLETO | PZ 1,0 |
| 32 | 9411267 | SPIA LIVELLO OLIO | PZ 1,0 |
| 109 | #330060100 | MANOMETRO | PZ 1,0 |
| 130 | 9049309 | VALVOLA SICUREZZA DISOLEATORE | PZ 1,0 |
| 137 | #008195120 | ELETTRIVALVOLA | PZ 1,0 |
| 402 | #419260110 | REGOLATORE DI ASPIRAZIONE | PZ 1,0 |
| 404 | #347111000SGL | VALVOLA PRESSIONE MINIMA | PZ 1,0 |
| 406 | 9054202 | FILTRO OLIO | PZ 1,0 |
| 408 | #017093000 | EL FLT ARIA 8UM D101,5 H101 | PZ 1,0 |
| 410 | #160NM0020 | BLOCCHETTO DISOLEATORE | PZ 1,0 |
| 413 | #048512000 | RADIATORE ARIA OLIO | PZ 1,0 |
| 416 | #012120000 | DRENAGGIO OLIO | PZ 1,0 |
| 418 | #011999008 | TAPPO ESAG.M3/4" C/SFIATO+GRN | PZ 1,0 |
| 419 | #251KL0018 | KIT NIPPLO FILTRO DISOL.SOTRAS | PZ 1,0 |
| 420 | \$30502700 | ANELLO OR 3187 VITON | PZ 1,0 |
| 421 | #160NM0037V41 | SERBATOIO DISOLEATORE | PZ 1,0 |
| 423 | #151KL0010 | NIPPLO FILTRO OLIO W712 | PZ 1,0 |
| 424 | #024118015 | ELETTRIVENTILATORE | PZ 1,0 |
| 472 | #048287000 | FILTRO SEPARATORE | PZ 1,0 |
| 488 | #160NM0012 | FLANGIA MANDATA | PZ 1,0 |
| 496 | #024101001 | GRIGLIA VENTOLA | PZ 1,0 |
| 511 | #160PU0118V44 | STAFFA SUP.VENT.RAD.D280 7016B | PZ 1,0 |
| 705 | #419260110SGL | GR.ASP.30DC PLS 11-16 C/BP (1) | PZ 1,0 |
| 996 | 9421785 | KIT RUB.SCARICO DIS.1/2" | PZ 1,0 |
| 3004 | #151LK0031 | TUBO FLX 1/2 BSP FD+F90 L590 | PZ 1,0 |
| 3019 | #160NM0013 | TUBO FLX 3/4 BSP FD+F90 L600 | PZ 1,0 |
| 3020 | #160NM0014 | TUBO FLX 1 BSP 2FD L700 | PZ 1,0 |
| 3021 | #160RL0001 | TUBO FLX 1/2 BSP 2FD L580 | PZ 1,0 |
| 4003 | #011000417 | RACC.ADT.MM 1/2" OR-BSP | PZ 3,0 |
| 4006 | #011000411 | RACC.ADT.90°MM 1/2"OR-BSP | PZ 1,0 |
| 4014 | #011000416 | RACC.ADT.MM 3/4" OR-BSP | PZ 1,0 |
| 4016 | #011443000 | RACC.ADT.90°MM1" OR VTN-BSP | PZ 1,0 |
| 4018 | #011730000 | RACC.ADT.MM 1" OR-BSP | PZ 1,0 |
| 4019 | #011000406 | RACC.ADT.MM 3/4" CNC-BSP | PZ 1,0 |
| 4041 | #011000158 | RACC.DIR.MC M5XTUBO D6 + OR | PZ 1,0 |



#419260110

REGOLATORE DI ASPIRAZIONE

| Pos | Component | | MU | Multiplier |
|-----|------------|--------------------------------|----|------------|
| 420 | #010093000 | ANELLO OR 3350 VITON | PZ | 1,0 |
| 957 | #260260050 | KIT REV. REGOLATORE ASPIR. | PZ | 1,0 |
| 966 | #419261003 | KIT MOLLA MARCIA VUOTO IR10-30 | PZ | 1,0 |



#419260110SGL

GR.ASP.30DC PLS 11-16 C/BP (1)

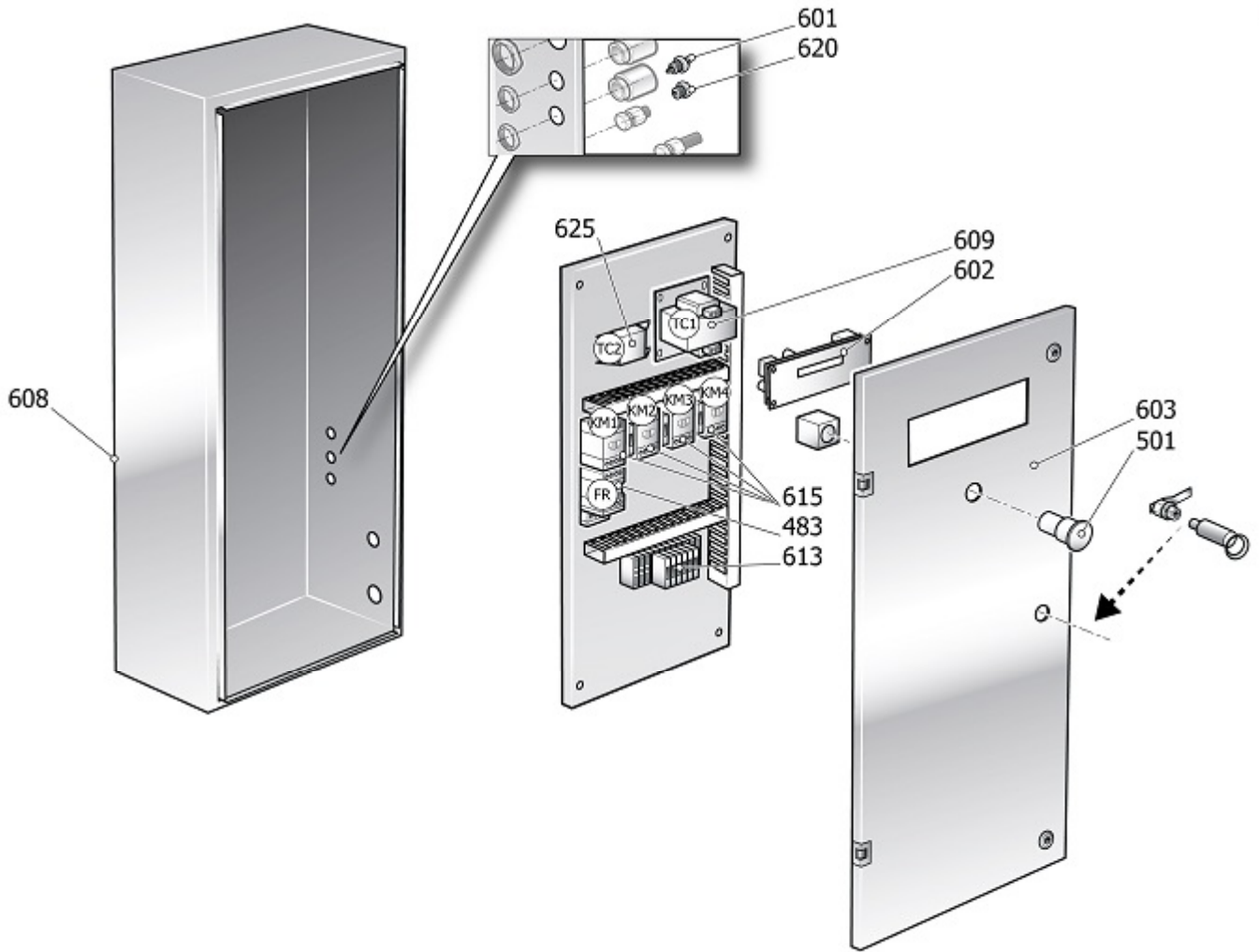
| Pos | Component | | MU | Multiplier |
|-----|------------|--------------------------------|----|------------|
| 420 | #010093000 | ANELLO OR 3350 VITON | PZ | 1,0 |
| 703 | #199260020 | FLANGIA FLT ARIA IR30DC D50 NW | PZ | 1,0 |
| 957 | #260260050 | KIT REV. REGOLATORE ASPIR. | PZ | 1,0 |



9421785




KIT RUB.SCARICO DIS.1/2"

| Pos | Component | | MU | Multiplier |
|------|------------|----------------------------|----|------------|
| 60 | 9417355 | GUARNIZIONE COPERCHIO INF. | PZ | 1,0 |
| 106 | #322056010 | RUBINETTO LINEA | PZ | 1,0 |
| 417 | #012122000 | TAPPO SCARICO OLIO | PZ | 1,0 |
| 4012 | #011000409 | RACC.ADT.MM 1/2" CON-BSP | PZ | 1,0 |



| Pos | Component | MU | Multiplier |
|-----|---------------|-------------------------------|------------|
| 483 | E0M023129 | RELE' TERMICO | PZ 1,0 |
| 501 | EOP270KIT216 | PULSANTE EMERGENZA | PZ 1,0 |
| 601 | #008333000 | SONDA TEMPERATURA | PZ 1,0 |
| 602 | 9062717SGL | CONTROLLORE ELETTRONICO | PZ 1,0 |
| 603 | #160NM0008V44 | SPORTELLLO VANO ELETT. | PZ 1,0 |
| 608 | #160NM0007V44 | VANO ELETTRICO | PZ 1,0 |
| 609 | E0M14100424 | TRASFORMATORE | PZ 1,0 |
| 613 | E0M11WEBGG00 | FUS.10X38-0.5A CH10 | PZ 2,0 |
| 613 | E0M11WEBGG01 | FUS.1A GG 10X38 CH10 | PZ 4,0 |
| 613 | E0M11WEBGG04 | FUS.10X38-4A CH10 | PZ 6,0 |
| 615 | E0M013210 | CNT.S00 9A 24V 3RT2016-1AB02 | PZ 1,0 |
| 615 | E0M013660 | CNT.S00 16A 24V 3RT2018-1AB02 | PZ 3,0 |
| 620 | #008167010 | TRASDUTTORE | PZ 1,0 |
| 625 | E0M14005406 | TRASF.3,2VA 400V/6V | PZ 1,0 |

LLK35

| KIT A | KIT B | KIT D |
|--|--|---|
|  <p data-bbox="462 1512 526 1545">1002</p> |  <p data-bbox="694 1512 758 1545">1004</p> |  <p data-bbox="933 1512 997 1545">1008</p> |

| Pos | Component | | MU | Multiplier |
|------------|------------------|-----------------------------|-----------|-------------------|
| 1004 | #260KTB02E | LLK A BELT 11-15-16KW | PZ | 1,0 |
| 1008 | #260KTD04E | LLK B BELT 11 10B-15 13B-16 | PZ | 1,0 |